



Eltra Trade s.r.o.

is the official distributor of

Eltra S.p.a.

We provide the best prices and delivery terms for the full range of **Eltra Encoders**



Focused on developing and manufacturing high-quality encoders

Since 1985

Eltra S.p.a.
produces full range of high
quality rotary encoders
and linear sensors.
The company constantly
develops using the latest
innovative technologies.



Benefits of Eltra Encoders

- **Production in Italy and Slovakia**
- **15.000 models, 25.000 products**
- **Express delivery within 24 hours**
- **Quality control of each product**
- **Full range of spare parts**
- **Customized solutions**
- **250.000 encoders every year**



Absolute Rotary Encoders

Multiturn magnetic

*EAM36, EAM36A, EAM36F, EAM36G,
EAMW58, EAMW63*



Multiturn optical

*AAM38 BiSS, AAM58, EAM58, EAM63,
EAM63AX, EAM63DX, EAM90,
EAM115, EAMX80A*



Singleturn magnetic

*EA36F, EA36G, EA36A, EMA22A, EMA50,
EMA55, EML50, EMS22A,*



Singleturn optical

*EA58, EA63, EA58F, EA63F, EA63G, EA58,
EA58F, EA63AX, EA63DX, EA90A, EA115A*



- *No need to be reset*
- *No passing of reference marks is required*
- *Displaying correct data after a power outage, no need to set a zero pulse*
- *Resolution: 2 - 8192 ppr (13 bit)*
- *Rotation speed: 3000 - 10000 rpm*

Incremental Rotary Encoders

Optical Solid Shaft

EH115, EH38, EH90A, EL115A, ER115A, EL30, ER30, EL40, EL40A, EL40B, EL40G, EL48, ER40, EL58, EL58B, ER58, EL58C, EL58H, EL63.



Optical Blind / Through Hollow Shaft

AF35F, EF36K, EF50, EH80, EH80C, EH80P, EF80, EF80C, EH88, EH88P, EH58C, EH38A, EL88P, EH17, EH30M, EH50, EH53, EL72, ER72, EL48, EL50.



Magnetic Incremental

EMI22A, EMI30M, EMI38F, EMI38G, EMI40, EMI55, EMI55A, EMI63A, EMI63D,



- *Control of the position and angular speed of moving mechanical axes*
- *Counting direct pulses*
- *The presence of reference marks*

Linear Transducers

Linear Optical / Magnetic Transducers

*ERA, ERB, ERC, ERD, ERE, ERF,
ETMA 1-2, EBMA*



Absolute Magnetostrictive

*EMSPA, EMSPB, EMSPS,
EMSSA, EMSSS*



Absolute Potentiometers

EPLA, EPLB, EPLC, EPLT



Wire Encoders

FE, FES



- *High reliability even in the heavy environments*
- *High accuracy*
- *Long life cycle*
- *Easy installation*
- *Standard stroke length from 10 mm to 1250 mm*

Wide range of encoder's mounting

➤ *Centering square flange*

➤ *Anti-rotation pin*

➤ *Clamping flange*

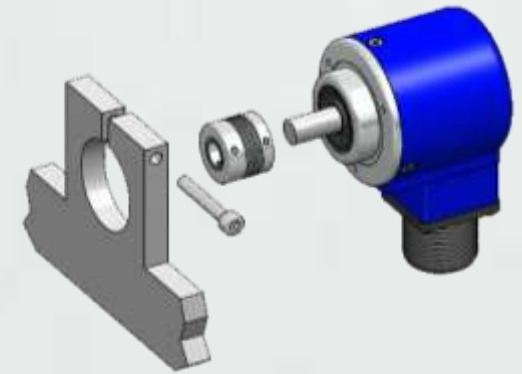
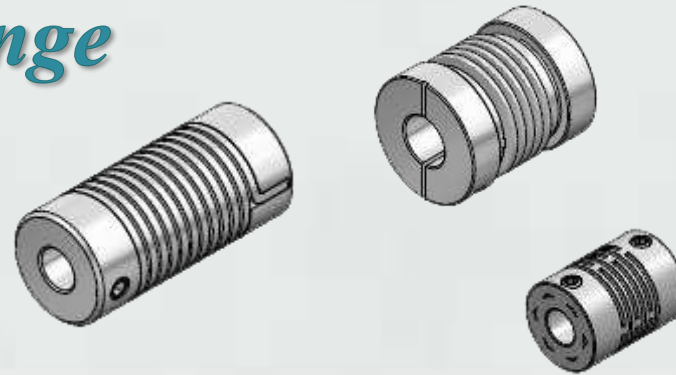
➤ *Elastic couplings*

➤ *Fixing flange*

➤ *Fixing holes*

➤ *REO-444 flange*

➤ *Collar clamping*



➤ *Torgue arm fixing*

➤ *Stator coupling*

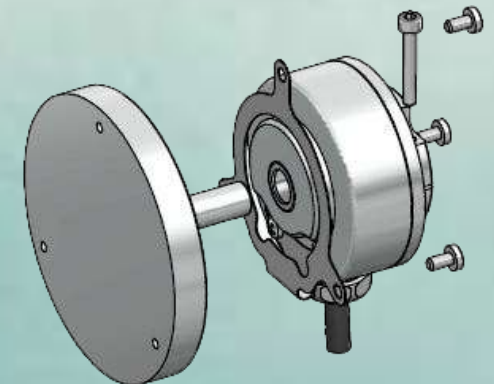
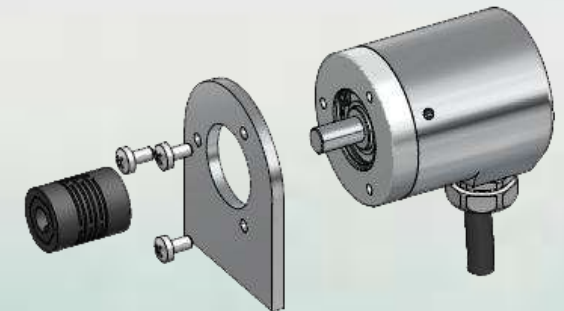
➤ *Synchronous flange*

➤ *Threaded flange*

➤ *Torque arm fixing*

➤ *With spring*

➤ *With star-ring*



**Eltra Trade s.r.o. provides
the best prices and shortest
delivery for eltra encoders**



We supply:

- **absolute and incremental encoders**
- **singleturn and multiturn models**
- **magnetic and optical encoders**
- **solid and hollow shaft types**
- **linear encoders, potentiometers**
- **other Eltra products**



Best prices



The fastest supply



**Best level technical
support**



**Customers in over
100 countries**

Eltra Trade - strong and experienced partner!



e-mail: info@eltra-trade.com

tel: +421 552 601 099

