



**SIEMENS**

*Ingenuity for life*

**ELTRA TRADE S.R.O.  
SUPPLIES FULL RANGE OF  
SIEMENS PRODUCTS**



The best prices



Customers from over  
120 countries



The highest level of  
technical support



The fastest supply

We provide the best prices and delivery terms for the following Siemens equipment:



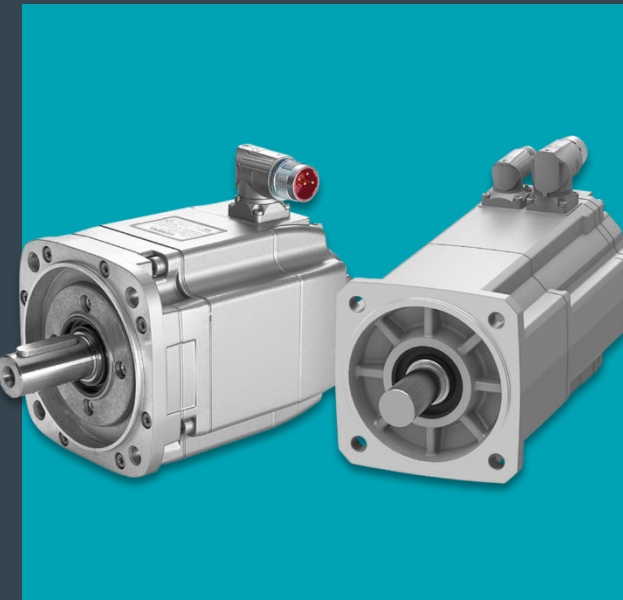
DRIVES



SITRANS  
FLOW METERS



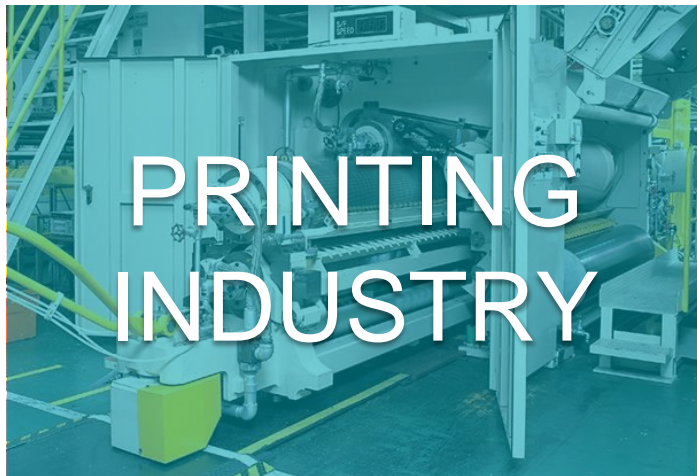
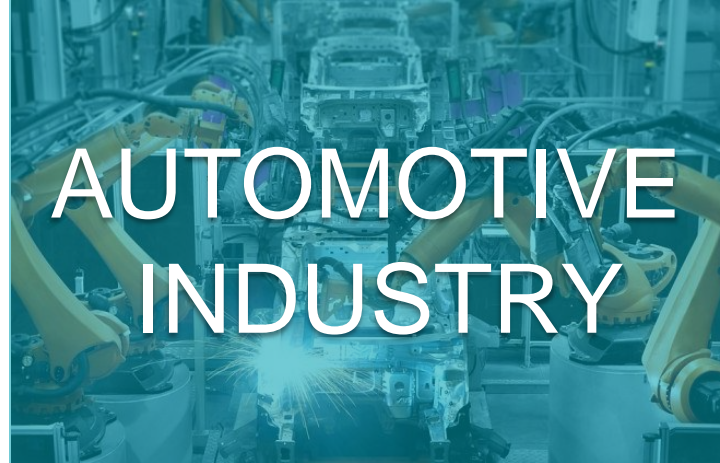
SITOP POWER  
SUPPLIES



ELECTRIC  
MOTORS



# INDUSTRIES & APPLICATIONS



# SITRANS FM MAGFLO



MAGFLO electromagnetic flowmeters provide reliable measurement of electrically conductive fluids with high accuracy (0.25-0.5%) over a wide measuring range

## APPLICATIONS:

- Water / Sewerage
- Chemistry
- Food and Beverage
- Pharmaceuticals
- Mining / Cement / Minerals
- Paper and pulp
- Energy and consumption



# SITRANS FM



MAG 1100

Flangeless wafer design in corrosion-resistant stainless steel. For general industry use and for the food & beverage and pharmaceutical industries



MAG 3100

Fully welded construction with a wide range of available sizes. For general industry use and for harsh environments in the process and chemical industries



MAG 5100

Specifically designed for all water and wastewater applications. It may be installed both directly underwater and underground.

# SITRANS FM



MAG 8000

Battery-operated water meter for installation virtually anywhere without sacrificing accuracy or performance.



MAG 5000

Microprocessor-based cost-effective robust transmitter. It is rugged with high measurement accuracy. Suitable for wide variety of applications.



MAG 6000

Microprocessor-based transmitter for demanding applications requiring higher accuracy and greater functionality.

# SITRANS FC MAGFLO



Siemens Coriolis flowmeters for high-accuracy mass flow measurement of liquids and gases in all applications

## THE MAIN TYPES:

- SITRANS FC MASSFLO 2100 DI 1.5
- SITRANS FC MASSFLO 2100 DI 3
- SITRANS FC MASSFLO 300 DN 4
- SITRANS FCS 200
- SITRANS FCS 300
- SITRANS FCS 400
- MASSFLO MASS MC1

# SITRANS F US ULTRASONIC



Siemens ultrasonic flowmeters for various liquids and gases (suitable even for the most severe conditions)

## THE MAIN TYPES:

- SITRANS F US SONO 3100
- SITRANS F US SONO 3300
- SITRANS FUS380
- SITRANS FUE380
- SITRANS F US SONOKIT
- SITRANS FUS880



# SIEMENS DRIVES



PERFECT HARMONY



SIEMENS SINAMICS



SIEMENS MICROMASTER

# MICROMASTER



MICROMASTER 420

MICROMASTER 430

MICROMASTER 440

# SINAMICS G



SINAMICS G120



SINAMICS G150



SINAMICS G180



# SINAMICS S



SINAMICS S120



SINAMICS S120CM



SINAMICS S150

# SINAMICS V



SINAMICS V20



SINAMICS V70



SINAMICS V90

# SIEMENS SITOP



SITOP PSU8600



SITOP PSU8200



SITOP PSU6200



SITOP SMART



# SIEMENS SITOP



SITOP LITE



LOGO!POWER

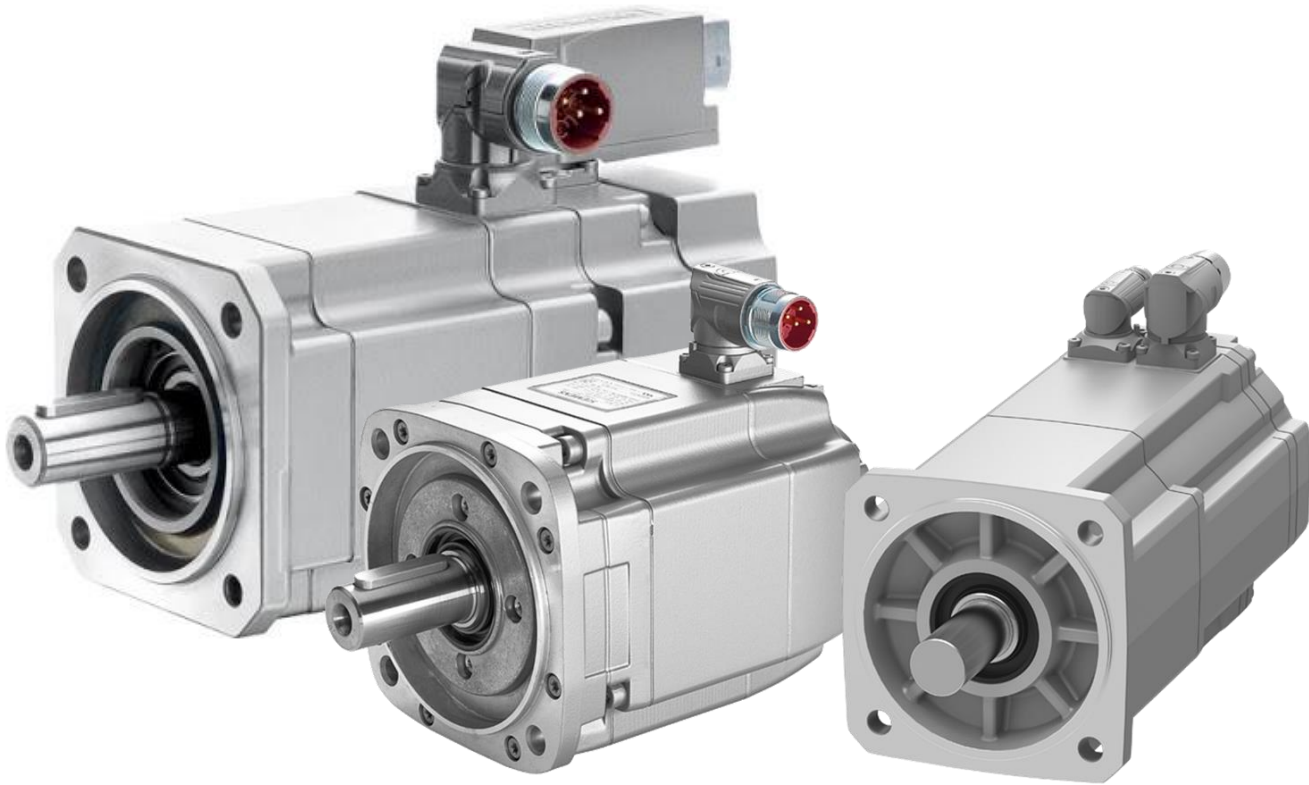


SITOP COMPACT



SITOP FOR SIMATIC

# ELECTRIC MOTORS

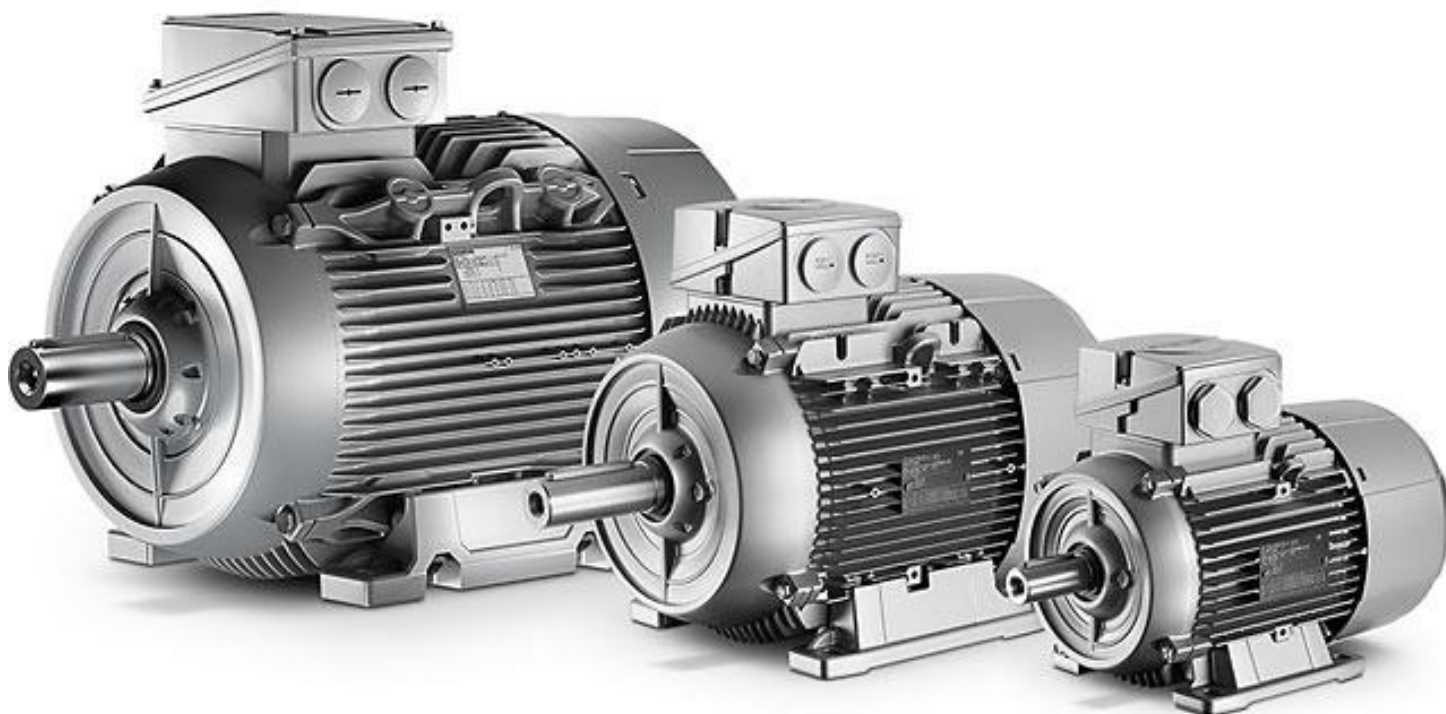


SIMOTICS S



SIMOTICS M

# ELECTRIC MOTORS



SIMOTICS SD

SIMOTICS GP

SIMOTICS XP



# SOFT STARTERS SIRIUS 3RW

SIRIUS 3RW30  
(75 - 315 kW)

SIRIUS 3RW40  
(5.5 – 55 kW)

SIRIUS 3RW44  
(5.5 – 1200 kW)

SIRIUS 3RW52  
(5.5 – 560 kW)

SIRIUS 3RW55  
(5.5 – 1200 kW)



# PROCESS INSTRUMENTATION

## TEMPERATURE MEASUREMENT



Temperature Sensors

Fiber-Optic Temperature Measurement

Head Transmitters

Field Transmitters

Rail Transmitters

# PROCESS INSTRUMENTATION

## PRESSURE MEASUREMENT

SITRANS P500

SITRANS P420

SITRANS P410

SITRANS P DS III





# PROCESS INSTRUMENTATION

## LEVEL MEASUREMENT



Point level measurement

Interface level  
measurement

Continuous level  
measurement

# SIMATIC



## SIMATIC Controllers

The perfect control solution for every application - PLC or PC-based. From logic modules to Basic, Advanced and Distributed Controllers.



## SIMATIC IO-Systems

SIMATIC ET 200 systems are multifunctional, modular and precisely scalable systems for distributed automation.



## SIMATIC Technology

It provides an intelligent solution for all tasks, such as: motion control, signal reception / output and feedback / PID control - up to serial communication.

# SIMATIC



SIMATIC HMI



SIMATIC IPC



SIMATIC NET



# SINUMERIK

SINUMERIK is a reliable, comprehensive system that offers standardized solutions that protect investment. This Siemens system with intelligent programming and control functions provides continuous dialogue with the user.



# SENTRON 3WL

SENTRON 3WL is the new line of air molded case circuit breakers from Siemens

## FEATURES:

- 630 A to 6300 A,
- 3 sizes for different rated current ranges
- 3 or 4 poles
- operating voltages up to AC 1000V
- 3 different class breaking capacity from 50 ka to 100 ka



# SITOR SEMICONDUCTOR FUSES

Protect power semiconductors from the effects of a short circuit because the super-quick disconnect characteristic.

## THE MAIN TYPES:

- SITOR, LV HRC design
- SITOR, cylindrical fuse design
- SILIZED, NEOZED and DIAZED design





# ABOUT US



Eltra Trade s.r.o. is fast developing company in supplying industrial automation equipment

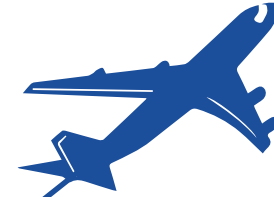
Serving customers in over 100 countries we help them to improve their energy efficiency and enhance productivity level

Thanks to long-standing contacts with our suppliers we can provide the fastest supply and the best prices on wide range of equipment

Highest flexibility, trust and credibility are the main principles of our company



Shipping anywhere in the world



**ELTRA**  
**trade**



[www.eltra-trade.com](http://www.eltra-trade.com)



+421 552 601 099



[info@eltra-trade.com](mailto:info@eltra-trade.com)