



SINAMICS V70 SERVO DRIVE





Siemens Sinamics V70 is an advanced servo drive, which is purposely designed to establish control over the feed axes in variety of machine tools.

Drives V70 servo main technical specifications can be described as follows:

- Drives can produce the output from 0.7 kW up to 7kW;
- It can easily handle 300 percent overload capacity;
- Its system has an integrated brake switch;
- The device ensures that safe torque (STO) is off;
- Various components and accessories can be integrated with this tool;
- Compatible to be used with high voltage capacity.

To find out stock ability and delivery time to your region, please contact our manager.



info@eltra-trade.com

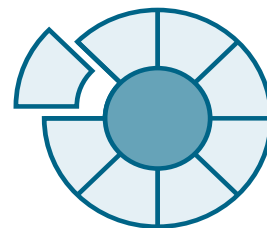
General description

SINAMICS V70



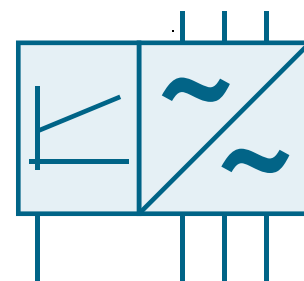
The SINAMICS V70 servo drive is specially designed to control the feed axes in standard machine tool applications. The system is designed essentially for applications where cost effectiveness is the primary consideration. The key performance data of the drive are aligned to perfectly fit to the solution provided by the SINUMERIK 808D ADVANCED.

Functions



7 versions cover power range from 0.4 kW to 7 kW	✓
Supply voltage 380 V to 480 V 3 AC	✓
300 % overload capability	✓
Drive bus communication to the SINUMERIK 808D ADVANCED	✓
Integrated motor brake switch	✓
Safe Torque Off (STO)	✓

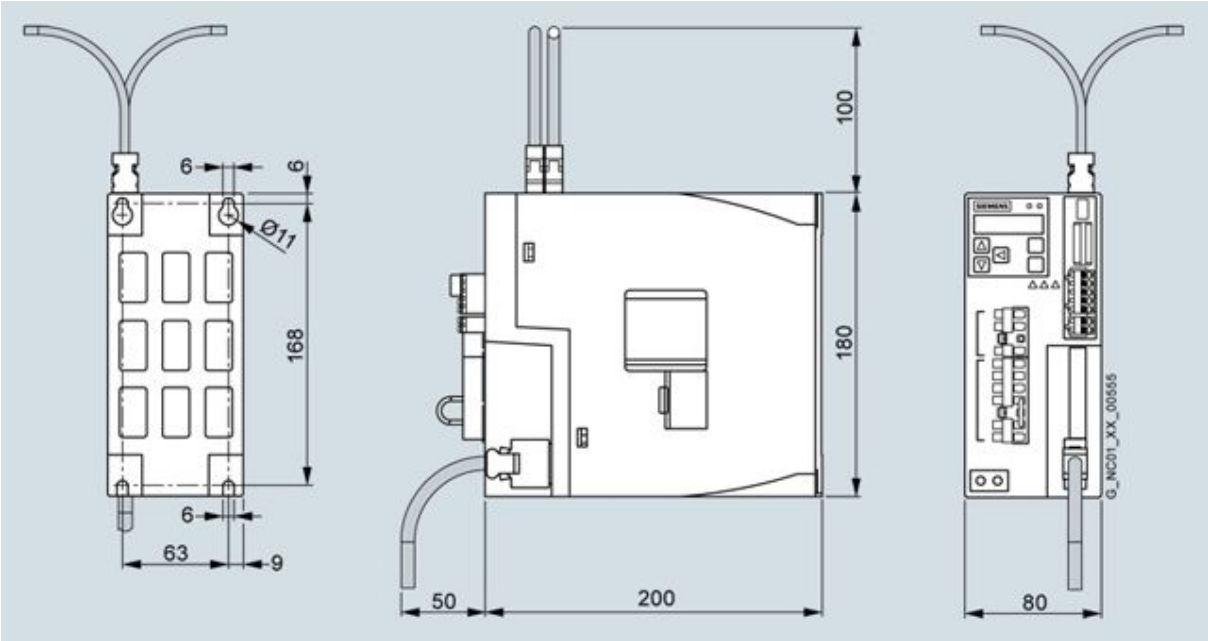
Integration



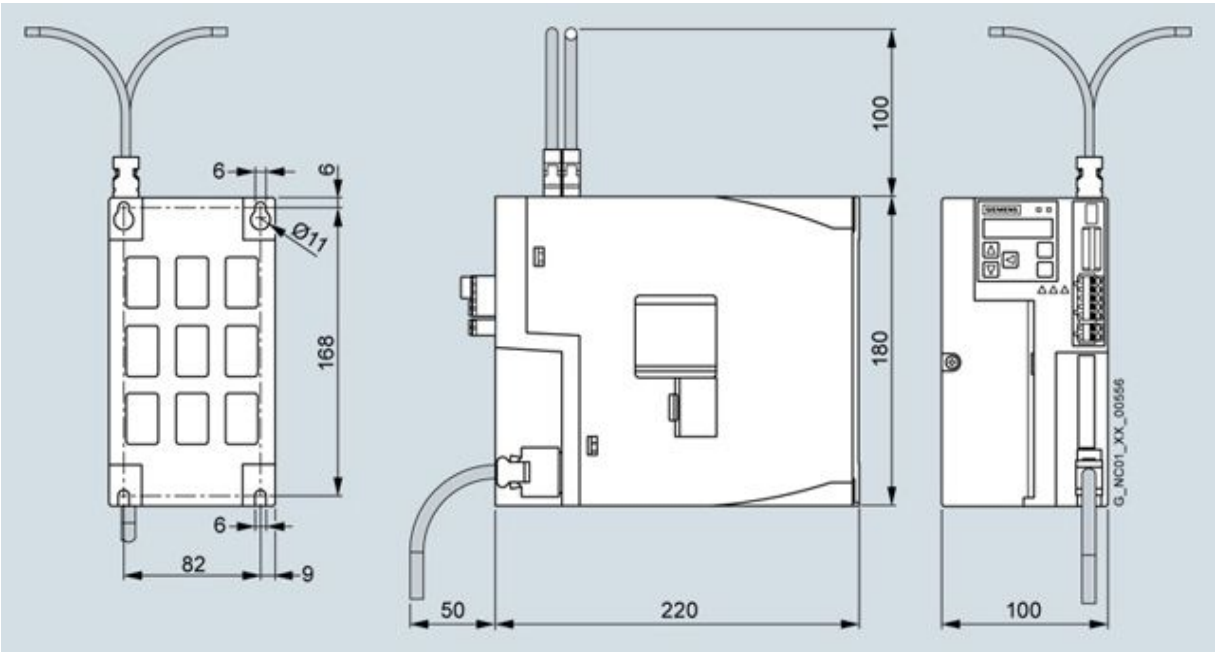
The following components can be connected to the SINAMICS V70:

SINUMERIK 808D ADVANCED T PPU 161.3 horizontal	✓
SINUMERIK 808D ADVANCED T PPU 160.3 vertical	✓
SINUMERIK 808D ADVANCED M PPU 161.3 horizontal	✓
SINUMERIK 808D ADVANCED M PPU 160.3 vertical	✓
SIMOTICS S-1FL6 feed motor	✓
Encoder in SIMOTICS S-1FL6 feed motor	✓
Brake in SIMOTICS S-1FL6 feed motor	✓

Integration (continued)

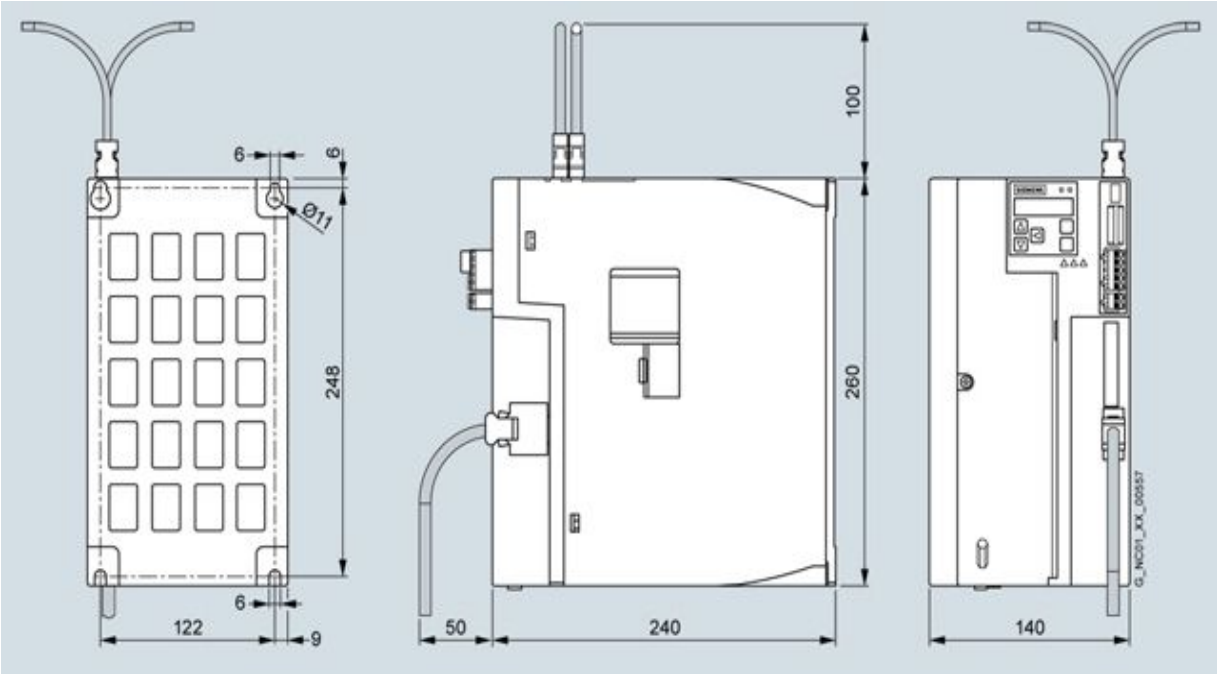


SINAMICS V70, frame size FSA

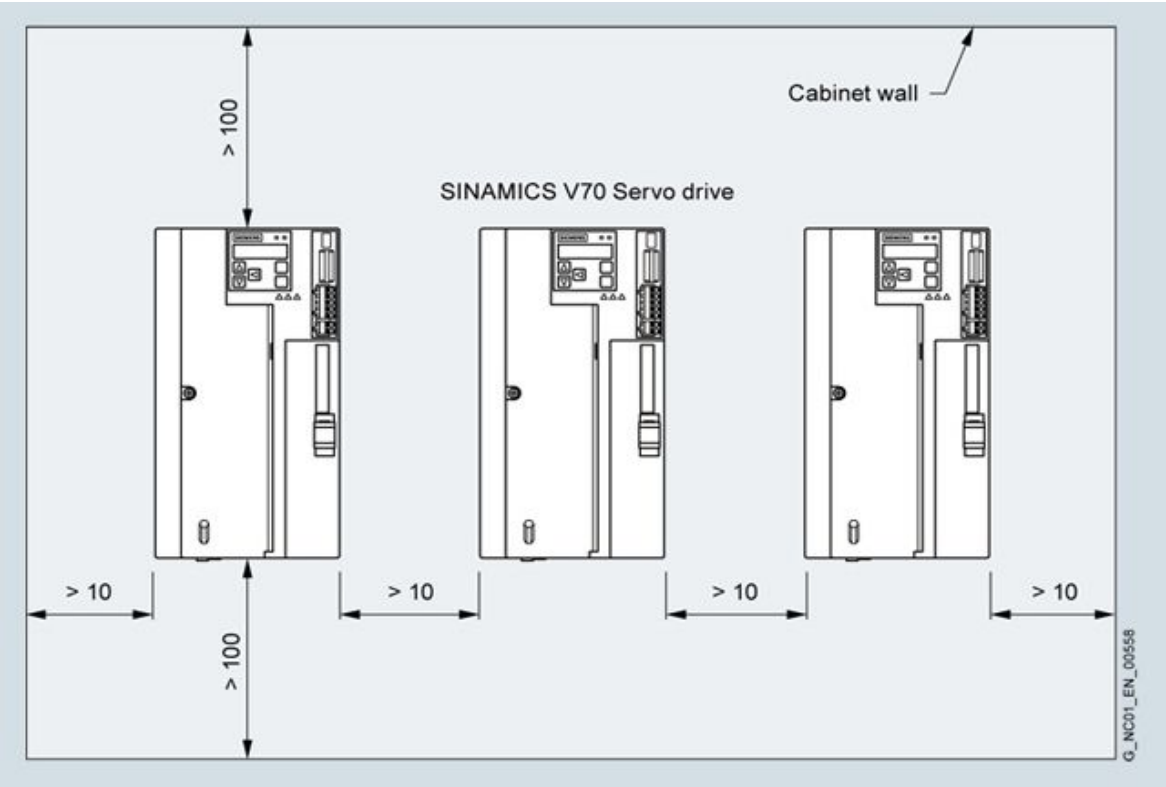


SINAMICS V70, frame size FSB

Integration (continued)

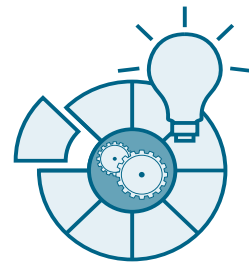


SINAMICS V70, frame size FSC



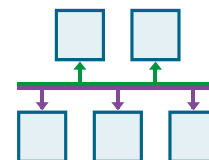
Mounting clearance

Features



- ✓ Compact module with integrated infeed, inverter and closed-loop position control for one feed axis
- ✓ Coated electronic modules
- ✓ Commissioning on CNC directly
- ✓ Faster commissioning thanks to pre-configured motor data stored in the drive
- ✓ CE certified

Options



With the following line filters, the SINAMICS V70 drives have been tested according to the emission requirements of the category of C2 environment. The conducted emissions and radiated emissions are in compliance with the standard of EN 55011 and reached Class A.

Type 6SL3210-...	Frame size	Article No.	Rated current
5DE12-4UA0	FSA	6SL3203-0BE15-0VA	5
5DE13-5UA0	FSA		
5DE16-0UA0	FSB	6SL3203-0BE21-2VA0	5
5DE17-8UA0	FSB		
5DE21-0UA0	FSB		
5DE21-4UA0	FSC	6SL3203-0BE22-0VA0	5
5DE21-8UA0	FSC		

We supply:

- **SINAMICS G150**
- **SINAMICS G180**
- **SINAMICS S120**
- **SINAMICS V20**
- **SINAMICS Perfect Harmony**
- **other Siemens products**

Eltra Trade s.r.o. supplies full range of Siemens Drives with the best prices and delivery terms.

STAY UPDATED



Best prices



The fastest supply



Best level technical support



Customers in over 100 countries



To find out stock ability and delivery time to your region, please contact our manager.



info@eltra-trade.com